

BEKOMAT® 31/32

**FUTURE TECHNOLOGY WITH
BEKO RELIABILITY ... TODAY**



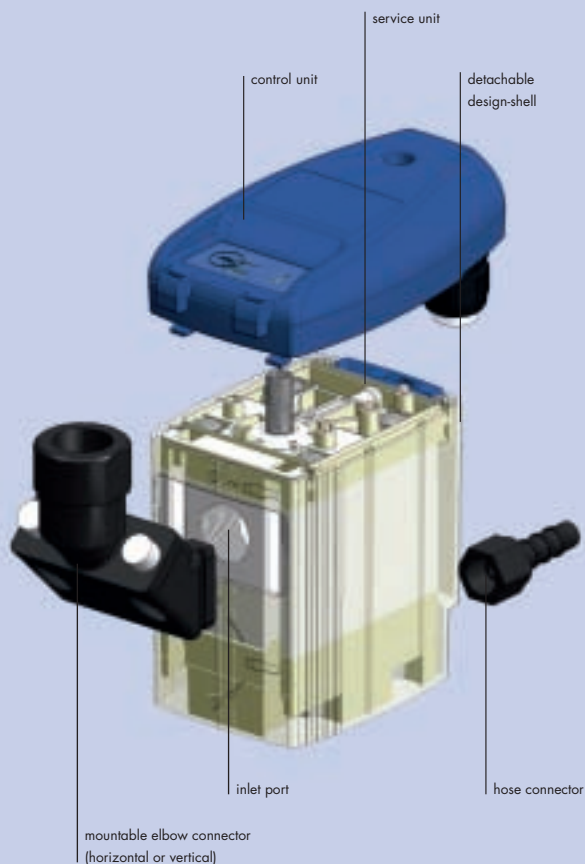
EVEN MORE COMPETITIVE IN PRICE, EVEN MORE RELIABLE

BEKO has transformed an international experience of more than 25 years into a new BEKOMAT® generation. With innovations which offer unprecedented advantages to the users.

BEKOMAT® 31/32 are consequential enhancements on proven solutions. Even more reliable, with fast and problem free installation. Maintenance that once took hours, now takes only seconds. BEKO achieves these targets through a construction that has never been realized until now, and consists of only two units joined by a quick connector.

Go and see for yourself.

BEKOMAT® 31/32. The innovation made by BEKO. Sets the standard of the future today.



+ 1: MINIMUM EXPENDITURE OF TIME: PLUG & PLAY

+ 2: SERVICE UNIT. PROGRESSIVE AND RELIABLE

+ 3: PROFITABLE

+ 4: DRAINAGE ACCORDING TO THE AMOUNT ACCUMULATED

+ 5: CONDENSATE HOUSING MADE OF ALUMINIUM

+ 6: SENSOR-CONTROLLED: COULDN'T BE SAFER!



SERVICE UNIT

Cost-effective: Complete replacement of all wearing and pressure-bearing parts in one swift movement.

- No tools required during maintenance work.
- No installation of seals and component parts.
- Only one spare part, function and pressure-tested.

BEKO service unit ready-for-use:

The easy ex-works solution!

PROBLEM FREE INSTALLATION

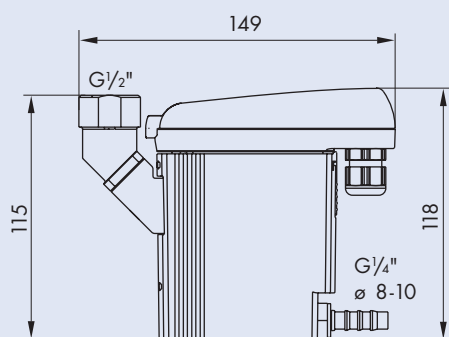
- Only connect once with electricity
- Quick connector
- Standard elbow connector for easy connection

UNPARALLELED RELIABILITY

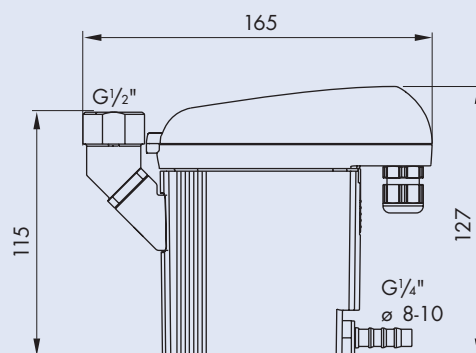
No unnecessary compressed-air loss

- Condensate housing made of non-corrosive aluminium as standard. An important contribution to operational reliability and longevity.
- BEKOMAT® 32 with alarm function and remote failure monitoring

SPECIFICATIONS



BEKOMAT® 31



BEKOMAT® 32

	Operating pressure (bar)		Weight (kg)	Application area	Application	Connections			max. compressor performance (m³/min)			max. dryer performance (m³/min)			max. filter performance (m³/min)		
	min.	max.				inlet	outlet hose connector	outlet hose di	3	2.5	1.5	6	5	3	30	25	15
BEKOMAT® 31	0.8	16	0.8	o, of	for all points of discharge	1x G1/2	1x G1/4	8 – 10 mm	3	2.5	1.5	6	5	3	30	25	15
BEKOMAT® 32	0.8	16	1.0	o, of	for all points of discharge	1x G1/2	1x G1/4	8 – 10 mm	6	5	3.5	12	10	7	60	50	35

Temperature range: +1 bis +60 °C

o: oil-containing condensate

of: oil-free condensate

More information regarding the climatic zones and the full BEKOMAT® range of products can be found at www.beko.de

For the design of the BEKOMAT® condensate drains for a specific region, please use the three climatic zones for orientation:

■ e.g. Northern Europe, Canada, Northern USA, Central Asia

■ e.g. Middle- and Southern Europe, Middle America

■ e.g. Southeast Asian coast regions, Oceania, Amazonian- and Kongo-regions

BEKO

HIGH-QUALITY COMPRESSED AIR

BEKOMAT®

The convincing concept for condensate discharge

ÖWAMAT®

Clean & safe oil-water separation.
Super efficient with OEKOSORB® replacement filters

BEKOSPLIT®

Splitting plants for the reliable, economic and environmentally friendly treatment of emulsions

DRYPOINT®

The complete product range for compressed air drying:
refrigeration dryers, adsorption dryers, membrane dryers

CLEARPOINT®

Flow-optimised, reliable filters and water separators for compressed air and industrial gas

BEKOKAT®

The optimum solution for the highest requirements in compressed air treatment

BEKOFLOW®

Innovative, cost-cutting compressed air pipe system

BEKOBLIZZ®

Optimised cooling processes using deep-cooled, dry compressed air



BEKO TECHNOLOGIES GMBH

Im Taubental 7 Telefon +49 2131 988-0
41468 Neuss Telefax +49 2131 988-900
www.beko.de beko@beko.de



Subject to technical changes without prior notice; the information provided does not represent characteristics of state within the meaning of the German Civil Code (BGB).

© Registered Trademarks by BEKO TECHNOLOGIES GmbH, Neuss